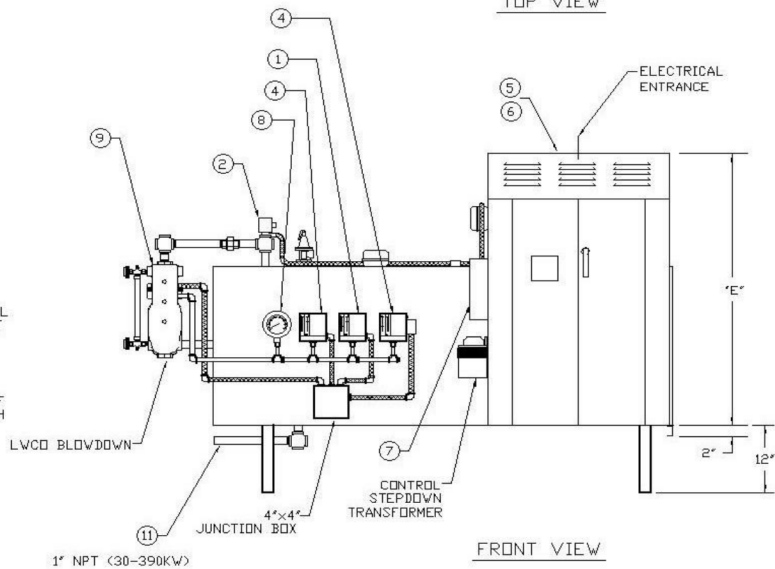
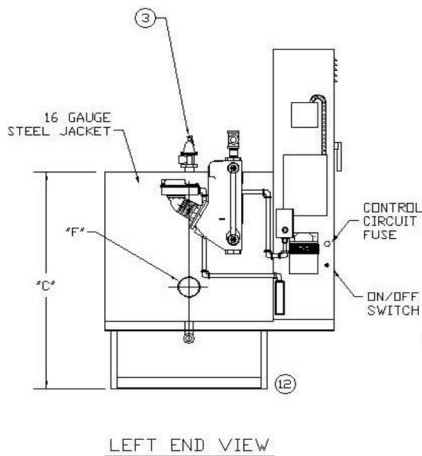
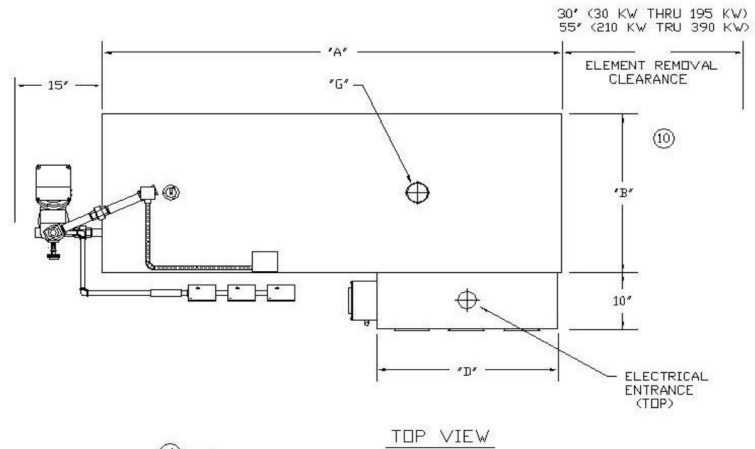


# BE Series Electric Boiler 150# Steam Design 30 kw to 390 kw

EFFECTIVE DATE: 2-21-22  
REPLACED DATE: 3-1-04

- NOTES:  
1. DIMENSIONS ARE SUBJECT TO CHANGE WITHOUT NOTICE. CONSULT FACTORY FOR CERTIFIED DIMENSIONS.  
2. TIE IN OF EXPANSION TANK CONNECTION IS ESSENTIAL TO INSURE PROPER OPERATION OF THE LOW WATER CUT-OFF FLOAT OF THE LOW WATER CUT-OFF FLOAT  
3. NOT INTENDED FOR USE AS A PRINCIPAL HEATING SOURCE FOR LIVING SPACE OF AN INDIVIDUAL RESIDENCE



- |   |   |   |
|---|---|---|
| <p>1. OPERATOR<br/>2. PROBE TYPE LWCO<br/>3. RELIEF VALVE<br/>4. PRESSURETROL</p> | <p>5. POWER PANEL<br/>6. CONTROL PANEL<br/>7. STEP CONTROLLER<br/>8. PRESSURE GAUGE</p> | <p>9. LWCO/PUMP CONTROLLER<br/>10. ELEMENT ACCESS<br/>11. BOTTOM BLOWDOWN<br/>12. STRUCTURAL STEEL LEGS</p> |
|---|---|---|

KW	BEQ Series						Fluid Cap.		Approx. Ship WT.			
	Vessel Dimensions			Power Panel Voltage			Oper. Level Gallons	Steam				
	length	width	height	208-230/3/60		380-460-575/3/60						
A	B	C	D	E	D	E	F	G				
30	48	20	32	20	30	20	30	1	2	24	13	775
45	48	20	32	20	30	20	30	1	2	24	13	775
60	48	20	32	30	36	20	36	1	2	24	13	775
75	48	20	32	30	36	20	36	1	2	24	13	850
90	48	28	40	30	36	20	36	1	3	52	32	1000
105	48	28	40	30	48	30	48	1	3	52	32	1025
120	48	28	40	30	48	30	48	1	3	52	32	1050
135	48	28	40	30	48	30	48	1	3	52	32	1300
150	48	28	40	30	48	30	48	1	3	52	32	1325
165	48	28	40	30	48	30	48	1	3	52	32	1350
180	48	28	40	30	48	30	48	1	3	52	32	1400
195	48	28	40	30	66	30	66	1	3	52	32	1450
210	76	28	40	C/F	C/F	30	66	1	3	105	69	1950
240	76	28	40	C/F	C/F	30	66	1	3	105	69	2000
270	76	28	40	C/F	C/F	30	66	1	3	105	69	2450
300	76	28	40	C/F	C/F	36	66	1	3	105	69	2500
330	76	28	40	C/F	C/F	36	66	1	3	105	69	2550
360	76	28	40	C/F	C/F	36	72	1	3	105	69	2600
390	76	28	40	C/F	C/F	36	72	1	3	105	69	2650

**B** BRYAN BOILERS

783 NORTH CHILI AVE  
PERU, INDIANA 46970

FORM NO.:

2253